



# INTEG M HYBRID INVERTER

## Solinteg MHT-4~20K Hybrid Inverter



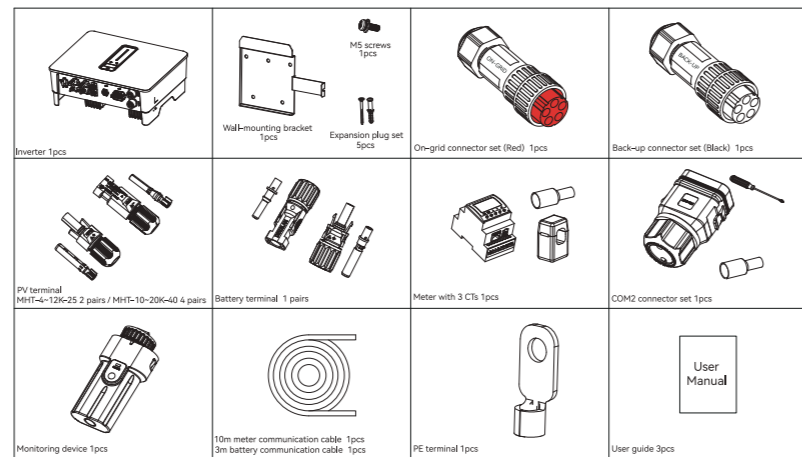
# Quick Installation Guide

ENGLISH VERSION

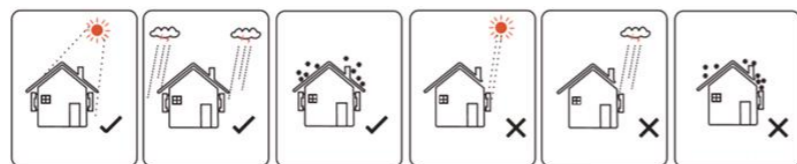
Part 1 Installation      Part 2 Electrical Connection

### 1 Installation

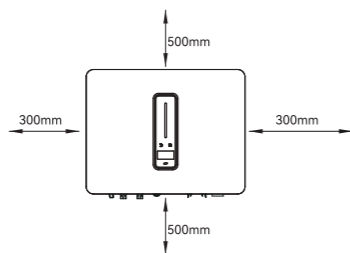
#### A Check Packing List



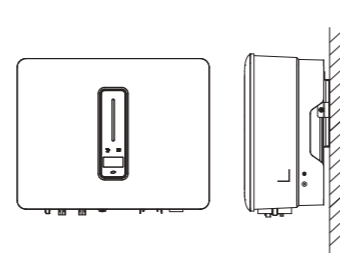
#### B Installation Location



#### C Installation Space

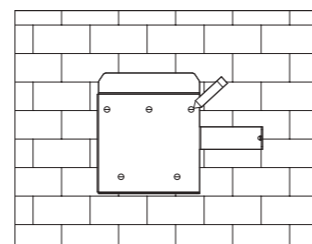


#### D Installation Angle

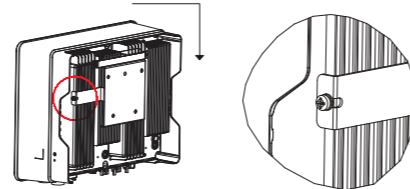


Part 1 Installation      Part 2 Electrical Connection

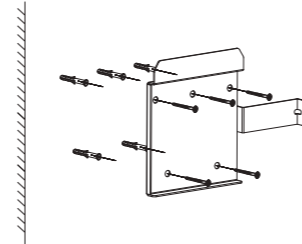
#### E Mark the Position and Drill Holes



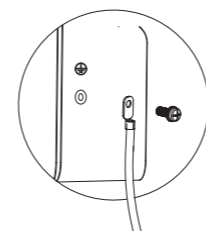
#### G Mounting Inverter



#### F Fix Wall Bracket



#### H Grounding Terminal Connection



### 2 Electrical Connection

#### A Check Packing List

| Cable types         | Cable requirements |                          |
|---------------------|--------------------|--------------------------|
|                     | Outside diameter   | Conductor core section   |
| AC cable            | 13.0-18.0 mm       | 2.5-10.0 mm <sup>2</sup> |
| PV cable            | 5.9-8.8 mm         | 2.5-4.0 mm <sup>2</sup>  |
| Battery power cable | 5.0-8.0 mm         | 10 mm <sup>2</sup>       |

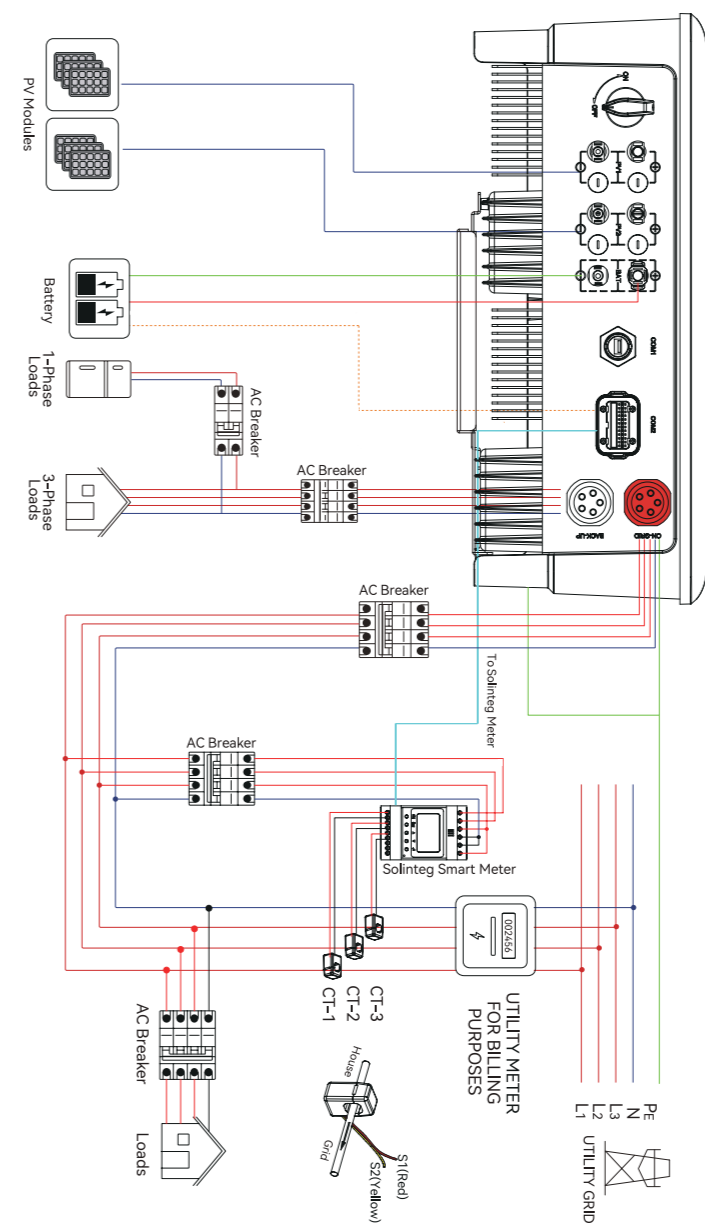
**AC cable:** On-grid side uses a five-core cable (L1, L2, L3, N, and PE). Back-up side uses a four-core cable (L1, L2, L3, N).

**AC Connector:** Please distinguish the on-grid and back-up connector, On-grid connector is red and Back-up connector is Black.

**Battery power cable:** If the conductor core of the battery cable is too small, which may cause poor contact between the terminal and the cable, please use the cable specified in the above table, or contact Solinteg to purchase terminals of other specifications.

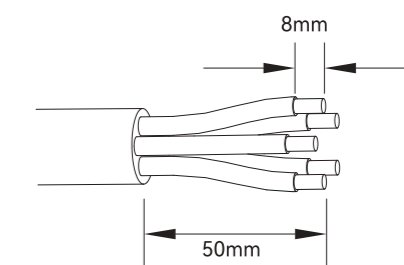
Part 1 Installation      Part 2 Electrical Connection

#### B Electrical Wiring Diagram

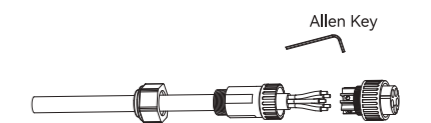


Part 1 Installation      Part 2 Electrical Connection

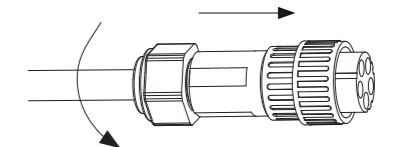
#### C AC Connection



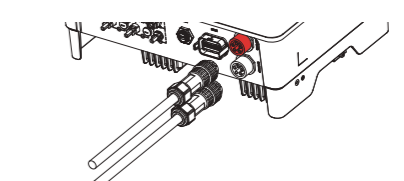
①



②

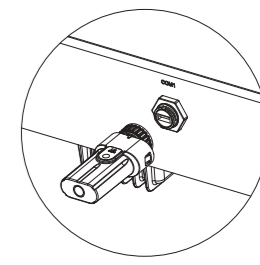


③

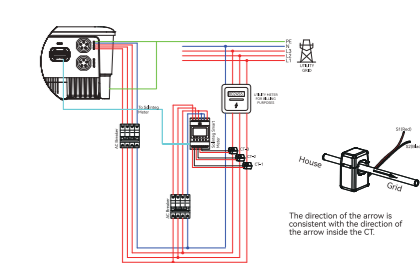


④

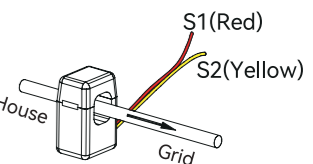
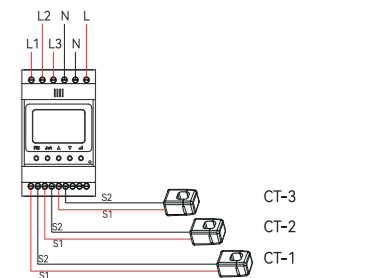
#### D Monitoring Device Installation



#### E Meter and CT Connection



The direction of the arrow is consistent with the direction of the arrow inside the CT.



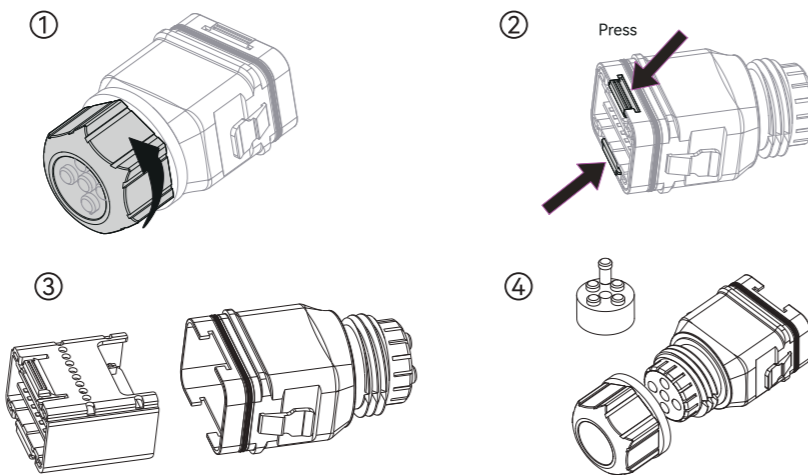


Part 1 Installation Part 2 Electrical Connection

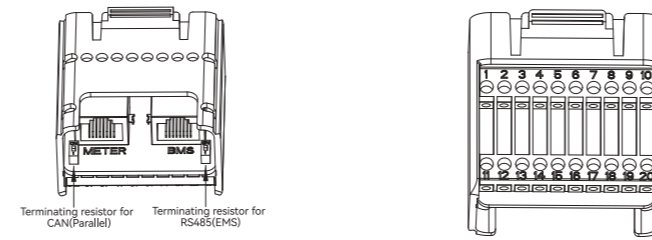
Meter Terminals Definition

| No.   | Definition | Function  |
|-------|------------|---|
| 1     | L1-S1      | To detect the CT current and direction                  |
| 2     | L1-S2      |   |
| 3     | L2-S1      |   |
| 4     | L2-S2      |   |
| 5     | L3-S1      |   |
| 6     | L3-S2      |   |
| 7     | L1         | L1/L2/L3/N connect to grid to detect power grid voltage |
| 8     | L2         |   |
| 9     | L3         |   |
| 10    | N          | Power supplied from grid                                |
| 12    | L          |   |
| 13    | N          |   |
| RS485 | RS485      | Communicate with inverter                               |

F Communication Connection

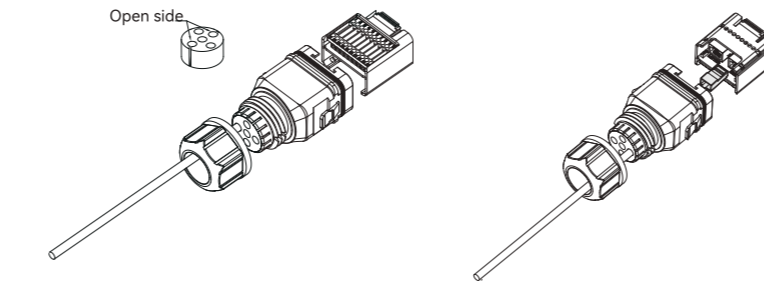


Part 1 Installation Part 2 Electrical Connection



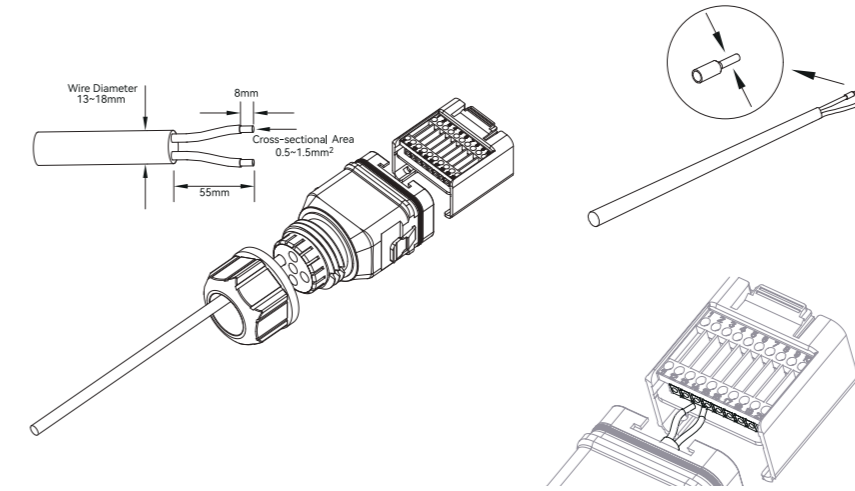
| Pin    | Definition         | Function                                 |
|--------|--------------------|--|
| RJ45-1 | RS 485             | Communicate with Meter                   |
| RJ45-2 | CAN                | Communicate with BMS                     |
| 1      | COM                | Multifunction Relay                      |
| 2      | NO (Normally Open) |  |
| 3-4    | /                  | Reserved                                 |
| 5      | DRM4/8             |  |
| 6      | DRM3/7             | DRED<br>For Australia and New Zealand    |
| 7      | DRM2/6             |  |
| 8      | DRM1/5             |  |
| 15     | COM D/0            |  |
| 16     | REF D/0            | Reserved                                 |
| 9-10   | /                  |  |
| 11     | Fast stop +        | Fast stop                                |
| 12     | Fast stop -        |  |
| 13     | 485 B1             | EMS                                      |
| 14     | 485 A1             |  |
| 17     | CANL_P             | CAN for parallel connection of inverters |
| 18     | CANH_P             |  |
| 19-20  | /                  | Reserved                                 |

Connect the Meter and BMS Communication Cables

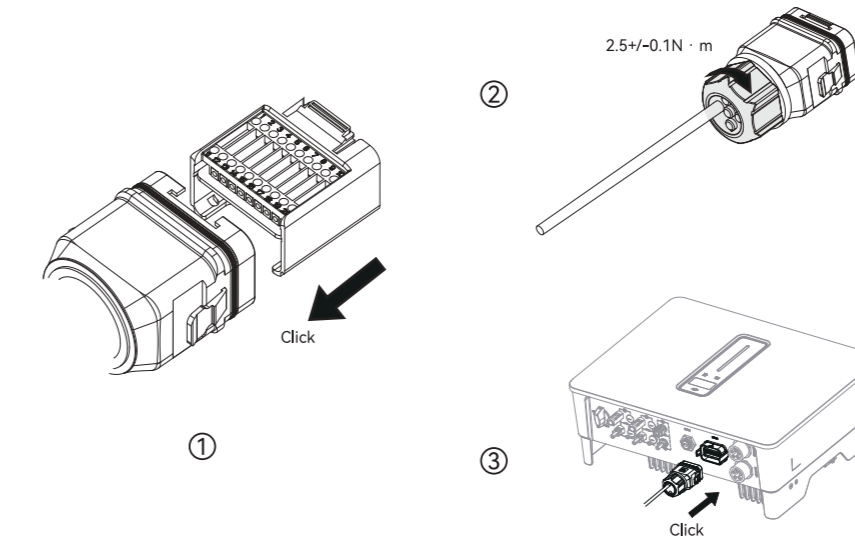


Part 1 Installation Part 2 Electrical Connection

Connect Other Cables

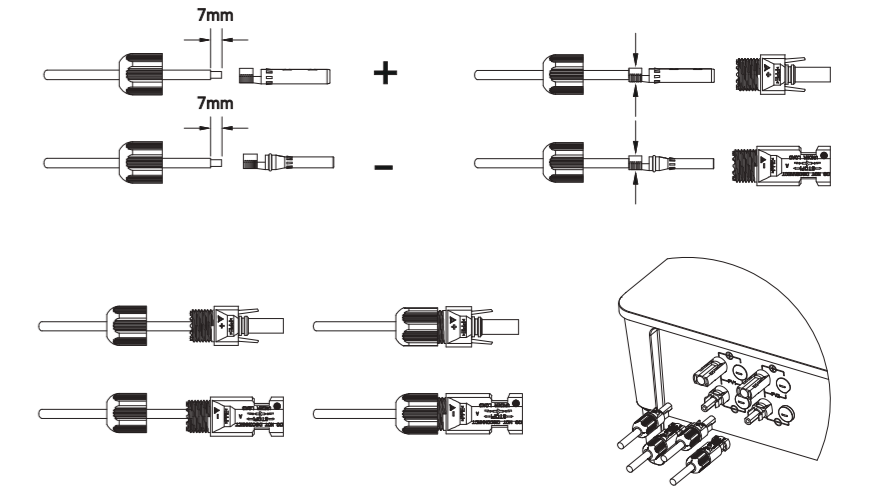


Installing the COM Connector



Part 1 Installation Part 2 Electrical Connection

G PV String Connection



H Power Cable of the Battery Connection

